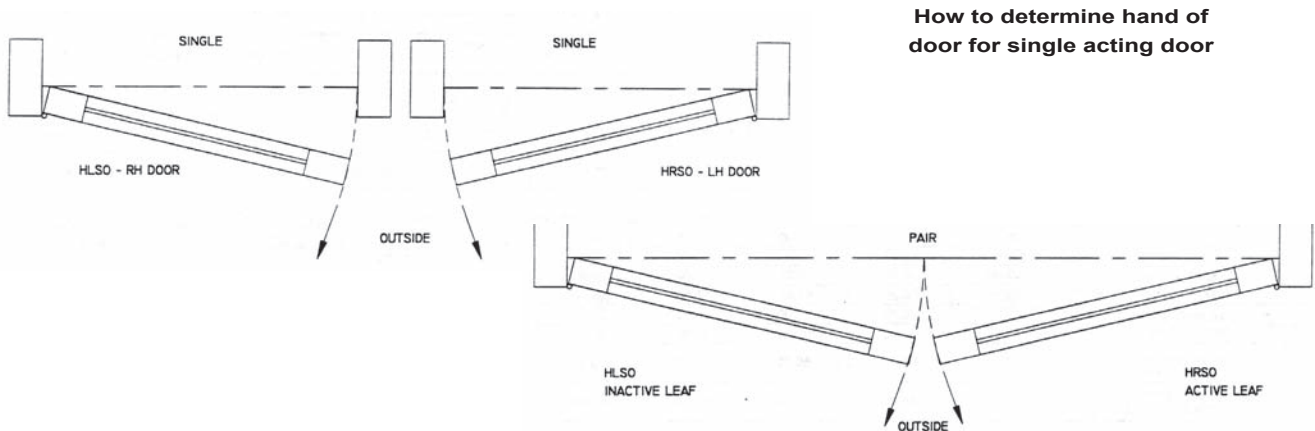


See price list for available finishes (finish chart is on the order form)



Arch Aluminum Narrow Stile Entrance Door

- Single or double acting
- 2" siteline stile
- Tough tie rod and reinforced mortise and tennon joint corner construction
- Maximum size recommended: 4'w x 8' h



Model

083-72

Arch Aluminum Medium Stile Entrance Door

- Perfect for heavy traffic usage
- Accommodates a wide variety of hardware, including rim type and concealed panic devices
- Maximum size recommended: 4'w x 8'h



Model

083-73

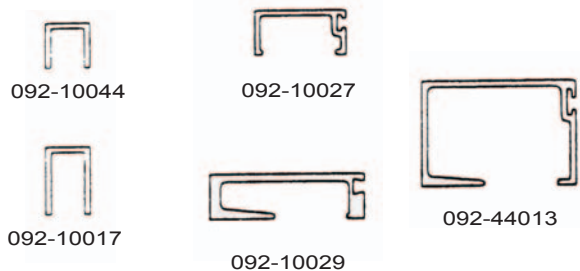
Arch Aluminum Wide Stile Heavy Traffic Entrance Door

- For hospitals, government buildings and other heavy traffic areas
- 5" wide stiles
- Horizontal rail rotation is eliminated due to lip overlap of vertical stiles
- Maximum size recommended: 4'w x 9' h



Model

083-75



Arch Aluminum

Models	Description	Size
083-10044	Stops	1/2" X 1/2" x 1/2" stop punch 14" o.C. (24'-2")
083-10017	Stops	3/4" X 1/2" x 3/4" stop (24'-2")
083-10027	Snap on door stop	1/2" X 1-1/32" (24'2")
083-10029	Snap on door stop	1-1/2" X 1-3/4" (24'2")
083-44013	Snap on door stop	1" X 1-3/4" (24'2")

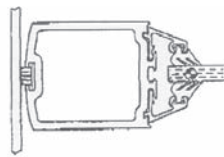
See price list for available finishes (finish chart is on the order form)

**Arch Aluminum
 Finger Guard (Black Only)**

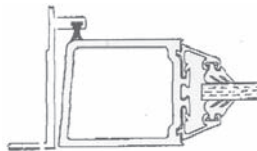


- For up to 8' doors

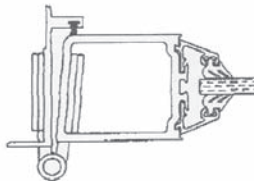
Model
083-25093-07



Center Pivot



Offset Pivot



Butt Hinge

**Arch Aluminum
 Standard Entrance Doors
 Hinges/Pivots**

- Double acting center pivot for concealed overhead closer
- Double acting center pivot for concealed floor closer
- Single acting offset pivot for overhead surface mounted closer
- Single acting offset pivot for concealed floor closer
- Single acting butt hinge for overhead surface mounted closer
- Options: Clearly specify all "options" required for job, for application to narrow stile model "083-72", Medium Stile Model "083-73" and Wide Stile Model "083-75"

Models	Size	Door Opening
083-72	31-3/8" x 76-5/8"	6'-0" x 7'-0"
083-73	27-7/8" x 72-5/8"	6'-0" x 7'-0"
083-75	25-1/4" x 71-1/8"	6'-0" x 7'-0"

Glass Door Stops

Models	Manufacturer
113-30-117	P.P.G.
112-A5026	Brasco
112-A5038	Brasco
083-26030	Amarlite
083-26040	Amarlite
083-10044	Amarlite
073-S-20	Vistawall
072-M-550	U.S. Aluminum
071-E0410	Tubelite



30-117



138-214



A5038



A5026



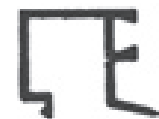
26030



26040



10044



S-20

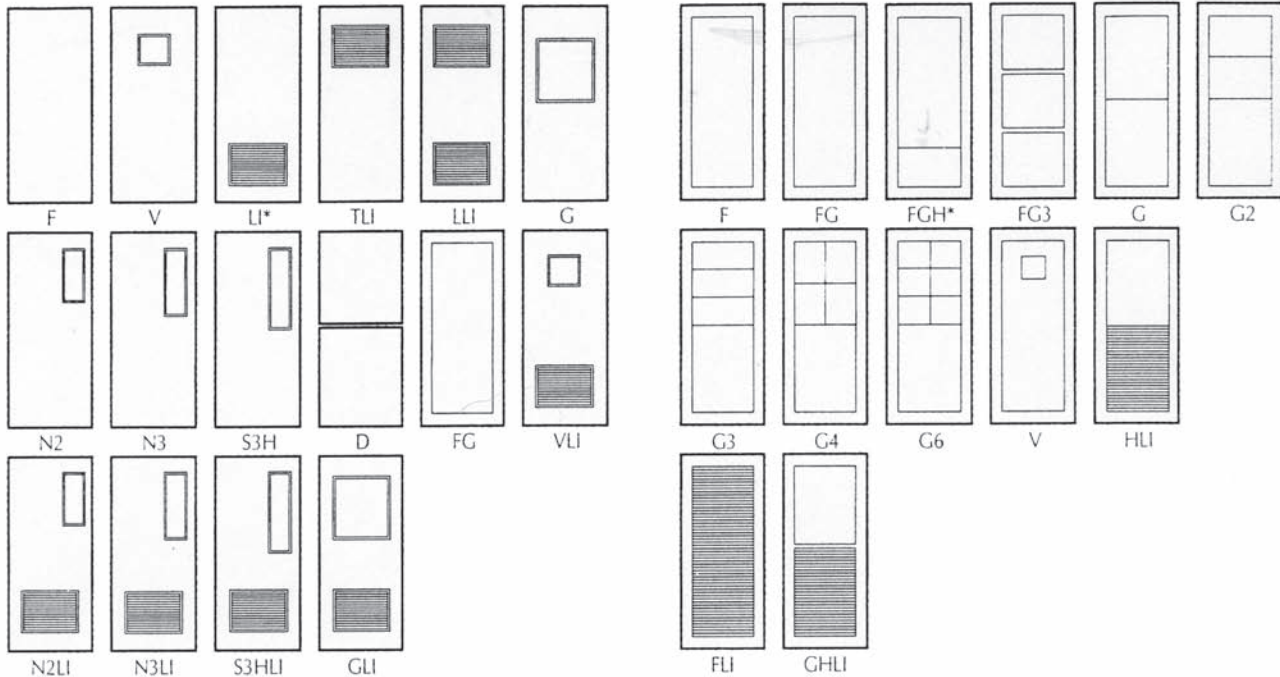


E0410



M-550

See price list for available finishes (finish chart is on the order form)



Amweld Fire Rated Frames

Series Available
082-400, 082-600, 082-800, 082-1800,
082-2200, 082-2600, 082-4400

- 3 Sided Single, 3 Sided Double, 4 Sided Single
- Slip-on Drywall, Double Egress, Contra Swing
- Multi-Swing, Transom w/o Bar, Transom w/ Bar, Adjustable, 4 hour in Drywall,
- 10'-0" Opening Ht., Fire Window
- Side/Transom Lite, K-D, Welded, Hospital Stops
- Positive Pressure, Snap In Anchors, 4 Sided Access

Amweld Fire Rated Doors

Series Available
082-15LE, 082-25LE, 082-35LE, 082-45LE, 082-500,
082-700, 082-61LE, 082-5100, 082-300

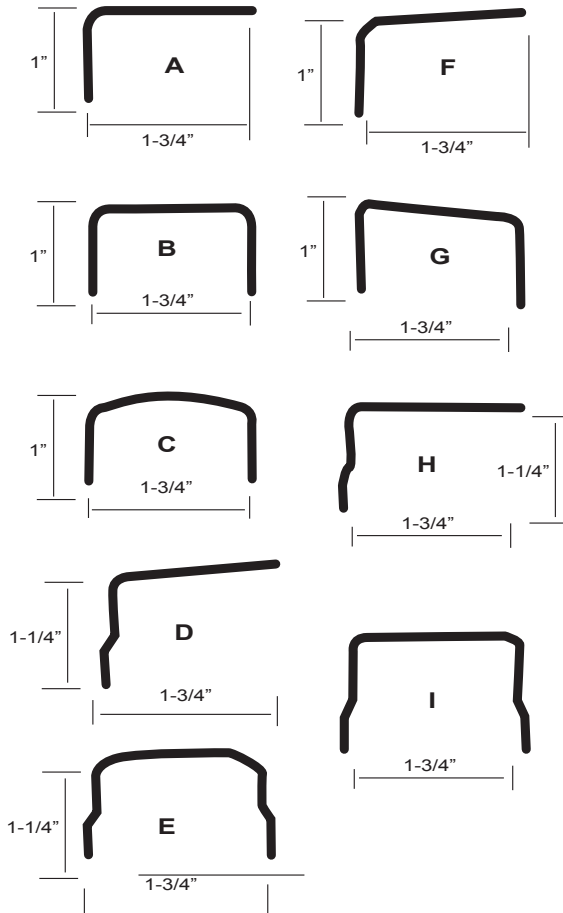
- 3 Hour Rating, 3 Hr. Rating w/Lite, 1 1/2 Hour Rating, 3/4 Hour Rating, 20 Min. (N.H.S.).
- Positive Pressure, Fusible link Louvers.
- 250° Temp. Rise, 450° Temp. Rise.
- Height up to 8'-0"*, Height up to 10'-0".
- Embossed Panels, Protection Plates to 48" A.F.F., Double Egress.

Models	Thickness	Gauge	Single Width	Double Width	Height
15, 17, 25, 27 LE	1-3/4"	14, 16, 18, 20, 22, 24	2'0" - 4'0" **	4'0" - 8'0"	6'8", 7'0", 7'2", 8'0", 10'0"
43, 45, 47, 83, 85, 87 LE	1-3/4"	14, 16, 18, 20, 22, 24	2'0" - 4'0"	4'0" - 8'0"	6'8", 7'0", 7'2", 8'0"
61-63 LE	1-3/4"	16, 18, 20, 22, 24	2'0" - 3'6"	5'4" - 7'0"	6'8", 7'0"
51-53 LE	1-3/4"	16	2'0" - 4'0"	not available	6'8", 7'0", 7'2", 8'0"
1538 LE (one 14 ga. Plate)	1-3/4"	16	2'0" - 4'0"	not available	6'8", 7'0"
1544 LE (two 14 ga. plate)	1-3/4"	16, 18	2'0" - 4'0"	not available	6'8", 7'0"
21 LE	1-3/4"	16	2'0" - 4'0"	not available	6'8", 7'0"
300	1-3/4"	16	2'0" - 4'0"	4'0" - 8'0"***	
3300 Full Glass	1-3/4"	16	2'0" - 4'0"	4'0" - 8'0"	6'8", 7'0", 7'2", 8'0"
500	1-3/4"	16, 18	2'0" - 4'0"	4'0" - 8'0"	6'8", 7'0", 7'2", 8'0"
700, 7700	1-3/4"	14, 16, 18	2'0" - 4'0"	4'0" - 8'0"	6'8", 7'0", 7'2", 8'0", 10'0"

See price list for available finishes (finish chart is on the order form)

**Burns
Door Edgings**

- Corner guard standard length is 48" by screw mount. Adhesive mount is available upon request
- The mortise and overlapping edgings illustrated on this page are available in all finishes in B & S 16 ga. (.050)
- Made standard for 1-3/4" doors in lengths of 42" or as requested
- Fastening: 5/8" x #6 screws into door edge
- Burns edgings are available in all Standard finishes

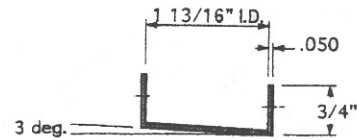


Letter	Models
A	014-301
B	014-303
C	014-305
D	014-307
E	014-309
F	014-302
G	014-304
H	014-306
I	014-308

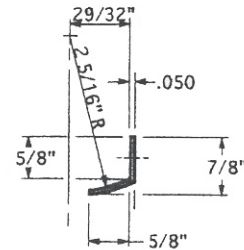
**Hiawatha
Small Door Edges**

Hiawatha also manufactures smaller door edgings for custom applications. These door edgings come in standard sizes as shown. These edge guards are used in applications where specific areas of the door are subject to damage and also allows clearance on the remaining edge of the door for locks etc.

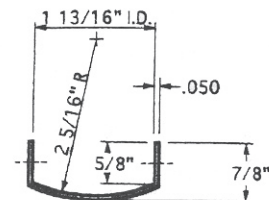
Models
034-KDE-2
034-KDE-1
034-KDE-3



KDE-2



KDE-1

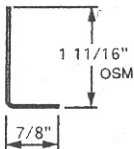
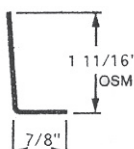
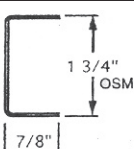
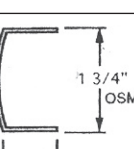
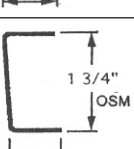
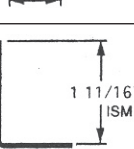


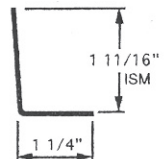
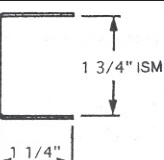
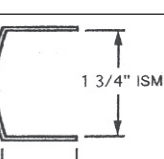
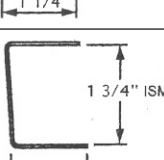
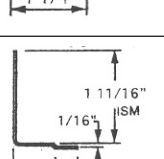
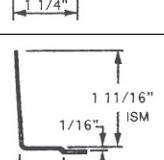
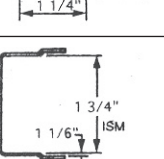
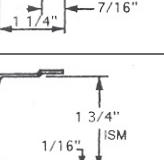
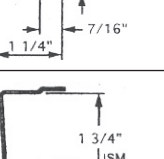
KDE-3

See price list for available finishes (finish chart is on the order form)

Hiawatha Door Edges

Most door edges are fabricated from .050" thick stainless steel. However, they are available in other metals and finishes. Phillips flat head stainless steel sheet metal screws are furnished. The standard door edge length is 42" but any length up to 96" is available. Door edges can be used on both hinge and lock edges and sometimes require cutouts for access to other hardware items such as hinges, latches, and flush bolts. Door edges are made to B.H.M.A. tolerances. Dimensions shown reflect 1 3/4" door. Other door thickness will cause the width dimension to change proportionally.

	Models	ANSI
	034-DE-1A Mortise	J204
	034-DE-2A Mortise	J205
	034-DE-3C Mortise	J210
	034-DE-4C Mortise	J212
	034-DE-5C Mortise	J211
	034-DES-1A Non-Mortise	-

	034-DES-2A Non-Mortise	-
	034-DES-3C Non-Mortise	-
	034-DES-4C Non-Mortise	-
	034-DES-5C Non-Mortise	-
	034-DE-1AJ Overlapping	J201
	034-DE-2AJ Overlapping	J201
	034-DE-3CJ Overlapping	J207
	034-DE-4CJ Overlapping	J209
	034-DE-5CJ Overlapping	J208