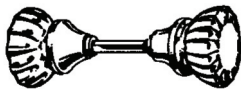


***Ilco***

## Replacement Latchset Parts

### “Crystal” Glass Knob

- Die cast bottom.
- #20 spindle and set screws.
- 2” dia., projects 2-1/4”.



037-199

<b>Model</b>
037-199 03 51

***Ilco***

### Latch

- Front - 2” x 1”.
- B.S. - 2-3/8”.
- Edgebore - 1”.



037-216

<b>Model</b>
037-216 03 51

See price list for available finishes (finish chart is on the order form)

**Progressive  
Brass Knobs**

This solid brass knob set is tapped 1/2-20 TPI for use with heavy duty spindles. Knobs have a solid brass insert for maximum strength and come with double set screws. Packed one pair per box.



<b>Model</b>
<b>052-2638/3</b>

**Progressive  
Knob Sets**

2-1/4" brass knob set, solid brass with double set screws and straight spindle Standard thread 20TPI. Packed one pair in display box.

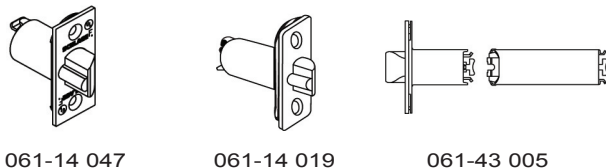


Models	Description
<b>052-2600 3</b>	Brass Plated
<b>052-2600 26D</b>	Chrome Plated

**Sargent  
Replacement Knob And Spindle**

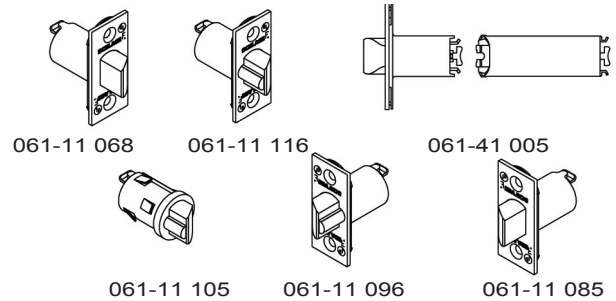
Models	Description
<b>060-77 5041</b>	Replacement Spindle For doors up to 1-3/4" thick

**Schlage  
(D) Series Latches**



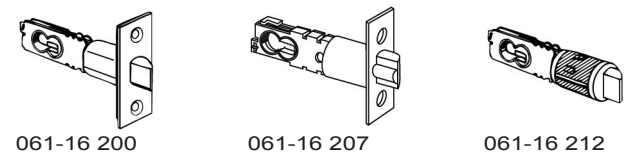
Models	B.S.	Fin.	Faceplate	Hsg.
<b>Deadlatches - 1/2 throw</b>				
<b>061-14 047 626</b>	2-3/8"	626	1-1/8", square	1"
<b>061-14 019 626</b>	2-3/4"	626	1-1/8", square	1"
<b>Extension link</b>				
<b>061-43 005</b>			5" link	

**Schlage  
(A) Series Latches**



Models	B.S.	Fin	Faceplate	Hsg
<b>Springlatches -1/2 throw</b>				
<b>061-11 068 605</b>	2-3/8"	605	1" Square	7/8"
<b>061-11 068 626</b>	2-3/8"	626	1" Square	7/8"
<b>061-11 116 605</b>	2-3/4"	605	1-1/8", Square	1"
<b>061-11 116 626</b>	2-3/4"	626	1-1/8", Square	1"
<b>Deadlatches - 1/2" throw</b>				
<b>061-11 085 605</b>	2-3/8"	605	1", Square	7/8"
<b>061-11 085 626</b>	2-3/8"	626	1", Square	7/8"
<b>061-11 104 626</b>	2-3/8"	626	Drive-In	1"
<b>061-11 096 605</b>	2-3/4"	605	1-1/8", Square	1"
<b>061-11 096 626</b>	2-3/4"	626	1-1/8", Square	1"
<b>061-11 105 605</b>	2-3/4"	626	Drive-In	1"
<b>061-11 091 626</b>	2-3/4"	626	1" Face	
<b>Extension Link</b>				
<b>061-41 005</b>			5"link	

**Schlage  
(F) Series Latches**



Models	B.S.	Fin	Faceplate	Hsg
<b>061-16 200 605</b>	Adj	605	1" square	7/8"
<b>Spring latches - Adjustable 2-3/8" or 2-3/4", 1/2" throw</b>				
<b>061-16 200 626</b>	Adj	626	1" square	7/8"
<b>Deadlatches - Adjustable 2-3/8" or 2-3/4", 1/2" throw or 5"</b>				
<b>061-16 207 605</b>	Adj	605	1" square	7/8"
<b>061-16 207 626</b>	Adj	626	1" square	7/8"
<b>061-16 212 626</b>	Adj	626	Drive-in	1"
<b>061-16 126 605</b>	5"	605	1"square	7/8"